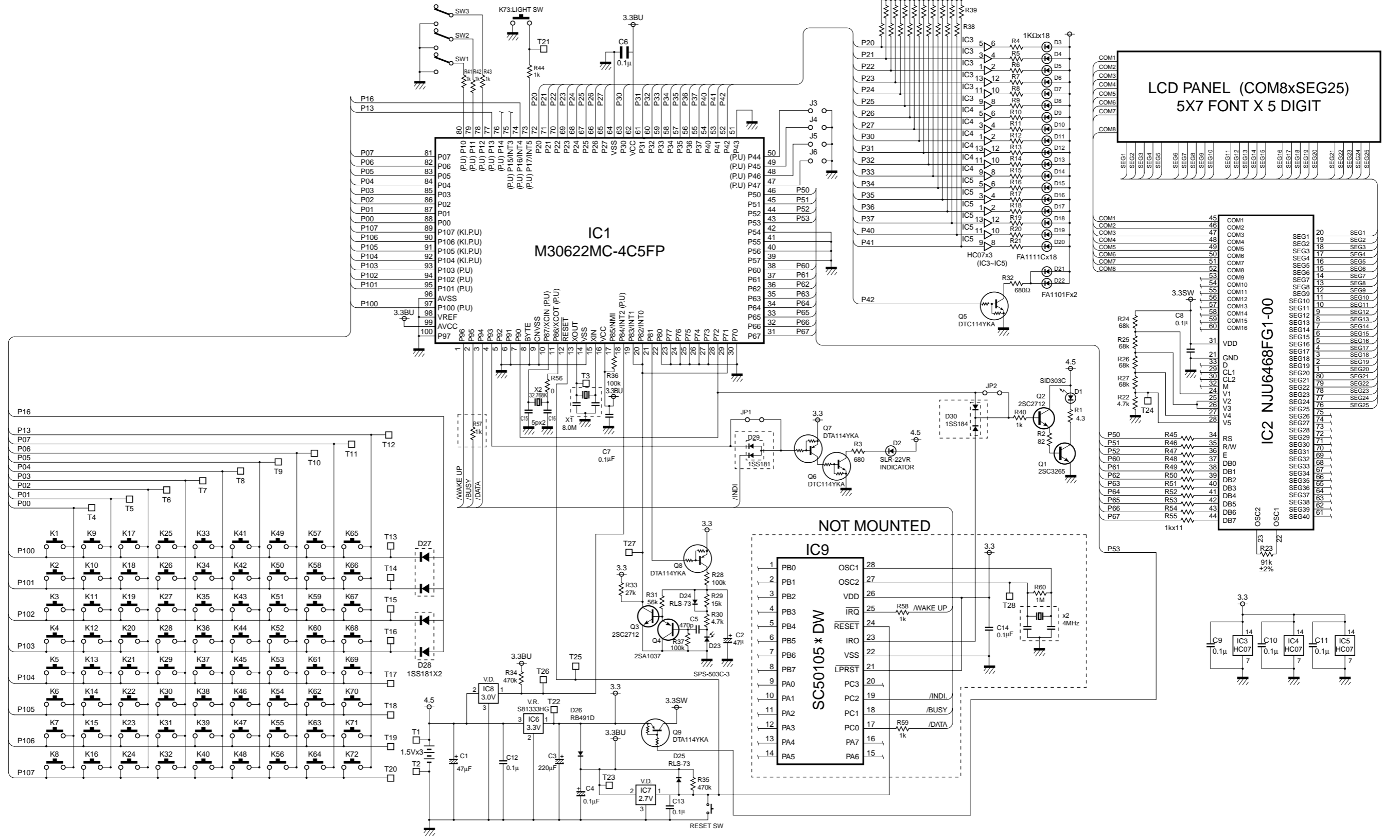
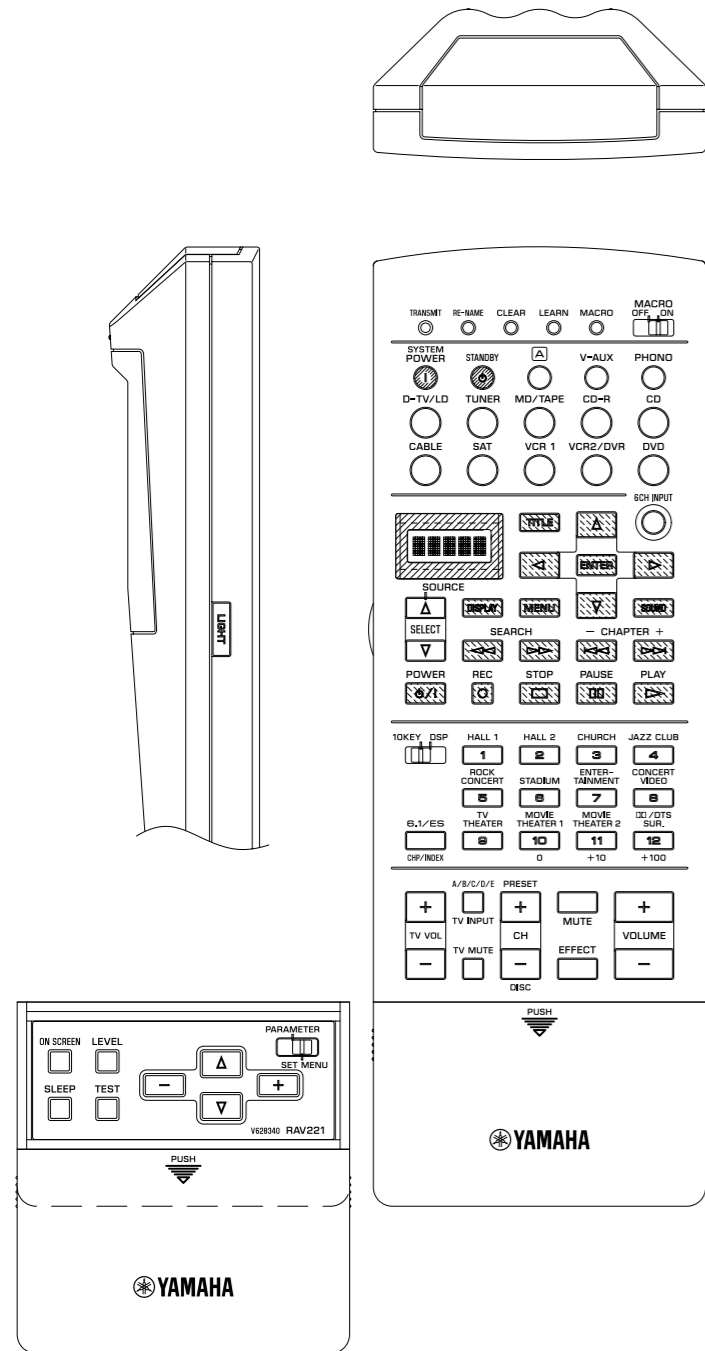


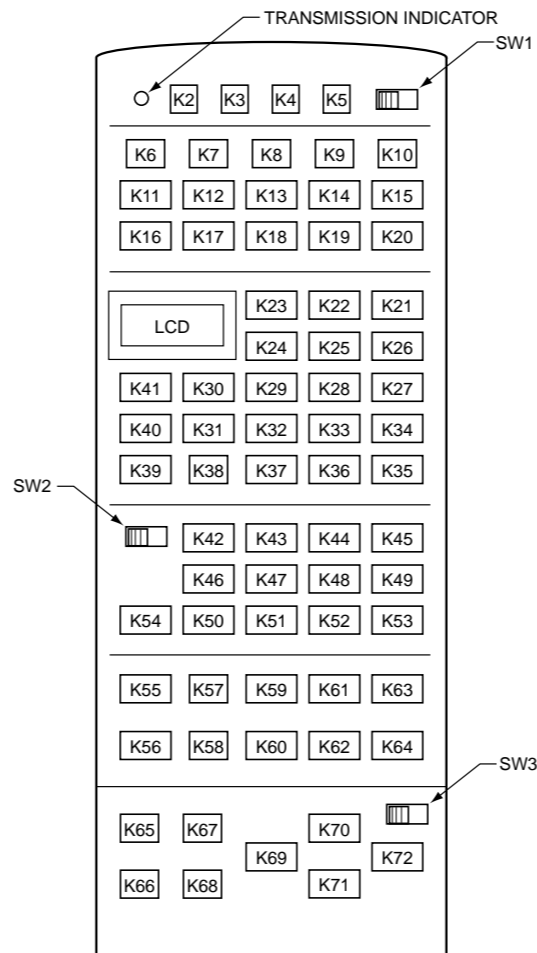
# REMOTE CONTROL TRANSMITTER

## SCHEMATIC DIAGRAM





Key arrangement



Initial code of Yamaha/ヤマハ初期コード・・・1/2

Key No.	Key Name	YPC	DSP *1	Zone2 *2
1	----			
2	RE-NAME			
3	CLEAR			
4	LEARN			
5	MACRO			
6	POWER on	*7A-1D	7D-90	*7A-1D
7	STANDBY	7A-1E	7D-91	7A-1E
8	A			
9	V-AUX	7A-55	7D-8A	7A-D8
10	PHONO	7A-14	7D-88	7A-D0
11	D-TV/LD	7A-54	7D-84	7A-D9
12	TUNER	7A-16	7D-89	7A-D2
13	MD/TAPE	7A-18	7D-8B	7A-D3
14	CD-R	7A-19	7D-8C	7A-D4
15	CD	7A-15	7D-87	7A-D1
16	CABLE	7A-C0	7D-96	7A-CC
17	SAT	7A-CA	7D-98	7A-CB
18	VCR1	7A-0F	7D-81	7A-D6
19	VCR2/DVR	7A-13	7D-82	7A-D7
20	DVD	7A-C1	7D-97	7A-CD
21	EXT. DEC.	7A-87	7D-8C	7A-87

\*1; Those code are transmitted when "DSP" is set-up as AMP library.  
AMPライブラリをDSPに設定することで送信される。

\*2; Those code are transmitted when "Zone2" is chosen with Select key.  
SelectキーによってZone2を選択することで送信される。

\*; Transmitting Code of K6, '7A-1D'  
K6送信コード、'7A-1D'について  
Full word transmitted twice.  
ワード部が2回送信される。

Device not mentioned on this table has no initial code.  
本表に記載なきデバイスの初期コードはなし。

Device	DVD (K20)	A (K8)	CD (K15)	MD/TAPE (K13)	TUNER (K12)	CD-R (K14)
22 Up	7C-B4					
23 TITLE	7C-B1					
24 Left	7C-B5					
25 Enter	7C-B8					
26 Right	7C-B6					
27 SOUND	7C-AD	7C-12				
28 Down	7C-B3					
29 MENU	7C-B2					
30 DISPLAY	7C-A6	7C-13	79-0A	79-A5		7F-9E
31 REW(SEARCH)	7C-86	7C-06	7A-0D	79-AC		7F-88
32 FF(SEARCH)	7C-87	7C-07	7A-0C	79-AD		7F-89
33 CHP/SKIP-	7C-B9	7C-02	7A-0B	79-AB		7F-86
34 CHP/SKIP+	7C-BA	7C-03	7A-0A	79-AE		7F-87
35 PLAY	7C-82	7C-05	7A-08	79-A8		7F-82
36 PAUSE	7C-83	7C-5A	7A-09	79-A9		7F-83
37 STOP	7C-85	7C-5B	7A-09	79-AA		7F-84
38 REC	7C-B7			79-AF		
39 POWER						
40 SELECT down						
41 SELECT up						

Initial code of Yamaha/ヤマハ初期コード・・・2/2

Key No.	Key Name	YPC	DSP *1	Zoon2 *2	DVD	A	CD	MD/TAPE	TUNER	CD-R
42	PRG1	7A-88	7D-D0	7A-88	7C-94	7C-17	79-11	79-85	7A-E5	7F-91
43	PRG2	7A-89	7D-D1	7A-89	7C-95	7C-18	79-12	79-86	7A-E6	7F-92
44	PRG3	7A-8A	7D-D2	7A-8A	7C-96	7C-19	79-13	79-87	7A-E7	7F-93
45	PRG4	7A-8B	7D-D3	7A-8B	7C-97	7C-1A	79-14	79-88	7A-E8	7F-94
46	PRG5	7A-8C	7D-D4	7A-8C	7C-98	7C-1B	79-15	79-89	7A-E9	7F-95
47	PRG6	7A-8D	7D-D5	7A-8D	7C-99	7C-1C	79-16	79-8A	7A-EA	7F-96
48	PRG7	7A-8E	7D-D6	7A-8E	7C-9A	7C-1D	79-17	79-8B	7A-EB	7F-97
49	PRG8	7A-8F	7D-D7	7A-8F	7C-9B	7C-1E	79-18	79-8C	7A-EC	7F-98
50	PRG9	7A-90	7D-D8	7A-90	7C-9C	7C-1F	79-19	79-8D	7A-E1	7F-99
51	PRG10	7A-91	7D-D9	7A-91	7C-93	7C-16	79-10	79-8E	7A-E2	7F-90
52	PRG11	7A-92	7D-DA	7A-92	7C-9D	7C-5D	79-1A	79-8F	7A-E3	7F-9A
53	PRG12	7A-93	7D-DB	7A-93	7C-9F	7C-5E	79-0D		7A-E4	7F-8C
54	CHP/INDEX	7A-97	7D-DF	7A-97	7C-9E	7C-15	79-0B		7A-E0	7F-8A
55	TV VOL up									
56	TV VOL down									
57	TV INPUT								7A-12	
58	TV MUTE									
59	CH up				7C-8B		7A-4F		7A-10	
60	CH down				7C-8A		7A-50		7A-11	
61	MUTE	7A-1C	7D-94	7A-DC						
62	EFFECT	7A-56	7D-C1	7A-56						
63	VOL up	7A-1A	7D-8D	7A-DA						
64	VOL down	7A-1B	7D-8E	7A-DB						
65	ON SCREEN	7A-C2	7D-C2	7A-C2						
66	SLEEP	7A-57	7D-93	7A-57						
67	LEVEL	7A-86	7D-95	7A-86						
68	TEST	7A-85	7D-CA	7A-85						
69	LEFT	7A-C7	7A-9F	7D-C7	7D-9F	7A-C7	7A-9F			
70	UP	7A-C5	7A-9D	7D-C5	7D-9D	7A-C5	7A-9D			
71	DOWN	7A-C4	7A-9C	7D-C4	7D-9C	7A-C4	7A-9C			
72	RIGHT	7A-C6	7A-9E	7D-C6	7D-9E	7A-C6	7A-9E			

Key type table/キー種別表

No.	Key Name	Learn *1	Macro *2	Device *3	Illumi *4
1	----				
2	RE-NAME				
3	CLEAR				
4	LEARN				
5	MACRO				
6	POWER on				
7	STANDBY				
8	A				
9	V-AUX				
10	PHONO				
11	D-TV/LD				
12	TUNER				
13	MD/TAPE				
14	CD-R				
15	CD				
16	CABLE				
17	SAT				
18	VCR1				
19	VCR2/DVR				
20	DVD				
21	EXT. DEC.				
22	Up				D3
23	TITLE				D4
24	Left				D5
25	Enter				D6
26	Right				D7
27	SOUND				D8
28	Down				D9
29	MENU				D10
30	DISPLAY				D11
31	REW(SEARCH)				D12
32	FF(SEARCH)				D13
33	CHP/SKIP-				D14
34	CHP/SKIP+				D15
35	PLAY				D16
36	PAUSE				D17
37	STOP				D18
38	REC				D19
39	POWER				D20
40	SELECT down				
41	SELECT up				
42	PRG1				
43	PRG2				
44	PRG3				
45	PRG4				
46	PRG5				
47	PRG6				
48	PRG7				
49	PRG8				
50	PRG9				
51	PRG10				
52	PRG11				
53	PRG12				
54	CHP/INDEX				
55	TV VOL up				
56	TV VOL down				
57	TV INPUT				
58	TV MUTE				
59	CH up				
60	CH down				
61	MUTE				
62	EFFECT				
63	VOL up				
64	VOL down				
65	ON SCREEN				
66	SLEEP				
67	LEVEL				
68	TEST				
69	LEFT				
70	UP				
71	DOWN				
72	RIGHT				

\*1; The key which has is learning key.  
のキーが学習可能キー

\*2; The key which has is Macro transmitting key.  
のキーがマクロ送信登録可能キー

\*3; The key which has is for Device select.  
のキーはデバイス選択キー

\*4; The key which has D\*\* is Illuminated key.  
D\*\*表記のあるキーが照光キー  
(D\*\* : LED Assign/LED アサインを示す)

Key Function of K22 - K60/K22 ~K60のキーファンクション

	Device	DVD	CD-R	SAT	VCR2/DVR	VCR1	CD	MD/TAPE	TUNER	CABLE	D-TV/LD	PHONO	V-AUX	A	OPTN	
22	Up	Menu up		Menu up						Menu up						
23	TITLE	Title														
24	Left	Menu left		Menu left						Menu left						
25	Enter	Menu enter		Menu select						Menu select						
26	Right	Menu right		Menu right						Menu right						
27	SOUND	Audio												Audio		
28	Down	Menu down		Menu down						Menu down						
29	MENU	MENU		MENU												
30	DISPLAY	Display	Display	Display			Display	Display		Display	Display			Display		
31	REW(SEARCH)	Rew	Rew	(VCR1 Rew)	Rew	Rew	Rew	Rew		(VCR1 Rew)	(VCR1 Rew)			Rew		
32	FF(SEARCH)	FF	FF	(VCR1 FF)	FF	FF	FF	FF		(VCR1 FF)	(VCR1 FF)			FF		
33	CHP/SKIP-	Skip-	Skip-				Skip-	Skip-						Chap/Skip-		
34	CHP/SKIP+	Skip+	Skip+				Skip+	Skip+						Chap/Skip+		
35	PLAY	Play	Play	(VCR1 Play)	Play	Play	Play	Play		(VCR1 Play)	(VCR1 Play)			Play		
36	PAUSE	Pause	Pause	(VCR1 Pause)	Pause	Pause	Pause	Pause		(VCR1 Pause)	(VCR1 Pause)			Pause		
37	STOP	Stop	Stop	(VCR1 Stop)	Stop	Stop	Stop	Stop		(VCR1 Stop)	(VCR1 Stop)			Stop		
38	REC	Return	REC	(VCR1 REC)	REC	REC	REC	REC		(VCR1 REC)	(VCR1 REC)					
39	POWER	Power	Power	Power	Power	Power	Power	Power	Power	Power	Power			Power		
40	SELECT down	Device select down								Device select down						
41	SELECT up	Device select up								Device select up						
42	PRG1	1	1	1	1	1	1	1	P1	1	1			1		
43	PRG2	2	2	2	2	2	2	2	P2	2	2			2		
44	PRG3	3	3	3	3	3	3	3	P3	3	3			3		
45	PRG4	4	4	4	4	4	4	4	P4	4	4			4		
46	PRG5	5	5	5	5	5	5	5	P5	5	5			5		
47	PRG6	6	6	6	6	6	6	6	P6	6	6			6		
48	PRG7	7	7	7	7	7	7	7	P7	7	7			7		
49	PRG8	8	8	8	8	8	8	8	P8	8	8			8		
50	PRG9	9	9	9	9	9	9	9	B	9	9			9		
51	PRG10	0	0	0	0/10	0/10	0	0	C	0	0/10			0		
52	PRG11	+10	+10	Recall			+10	+10	D	Recall				+10		
53	PRG12	Clear	Clear				Clear		E					Clear		
54	CHP/INDEX	Title/index	Index	Enter	TV/VIDEO	TV/VIDEO	Index		A	enter	enter			CHP/Time		
55	TV VOL up	(TVVOL up)	(TVVOL up)	(TVVOL up)	(TVVOL up)	(TVVOL up)	(TVVOL up)	(TVVOL up)		(TVVOL up)	TVVOL up	(TVVOL up)	(TVVOL up)	(TVVOL up)	(TVVOL up)	
56	TV VOL down	(TVVOL down)	(TVVOL down)	(TVVOL down)	(TVVOL down)	(TVVOL down)	(TVVOL down)	(TVVOL down)		(TVVOL down)	TVVOL down	(TVVOL down)	(TVVOL down)	(TVVOL down)	(TVVOL down)	
57	TV INPUT	(TV Input)	(TV Input)	(TV Input)	(TV Input)	(TV Input)	(TV Input)	(TV Input)	A/B/C/D/E, FM/AM	(TV Input)	TV Input	(TV Input)	(TV Input)	(TV Input)	(TV Input)	
58	TV MUTE	(TV Mute)	(TV Mute)	(TV Mute)	(TV Mute)	(TV Mute)	(TV Mute)	(TV Mute)		(TV Mute)	TV Mute	(TV Mute)	(TV Mute)	(TV Mute)	(TV Mute)	
59	CH up	DISC+		CH up	CH up	CH up	DISC+		PRESET+	CH up	CH up			DISC+		
60	CH down	DISC-		CH down	CH down	CH down	DISC-		PRESET-	CH down	CH down			DISC-		

Initial Macro setup/初期登録マクロ

Key	Key Name	1	2	3	4 - 10
6	POWER on	K6	K39 TV		
7	STANDBY	K7			
8	A	K6			
9	V-AUX	K6	K9		
10	PHONO	K6	K10		
11	D-TV	K6	K11		
12	TUNER	K6	K12		
13	MD/TAPE	K6	K13	K35 MD/TAPE	
14	CD-R	K6	K14	K35 CD-R	
15	CD	K6	K15	K35 CD	
16	CABLE	K6	K16		
17	SAT	K6	K17		
18	VCR1	K6	K18	K35 VCR1	
19	VCR2/DVR	K6	K19	K35 VCR2	
20	DVD	K6	K20	K35 DVD	